

Lever Hoists
250kg - 6000kg



ENGINEERING SUPPLIES
MOVING MATERIALS SAFELY



- **Quality:**
CSIR test certificates available on request.
- **Safety & Traceability:**
Detailed test certificate with each unit supplied contains serial no of each unit.
- **High factor of safety:**
Exceeds 4:1 FOS.
- **Value:**
Competitive price without compromising safety.

1/4 ton



3/4 ton



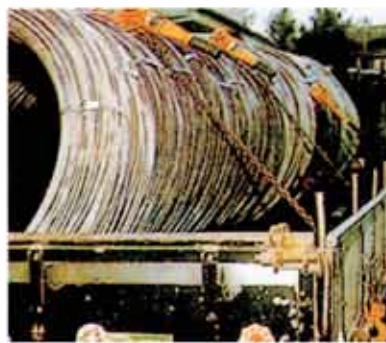
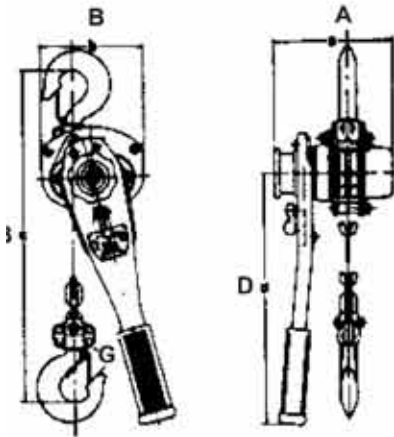
1 1/2 ton



3 ton



6 ton

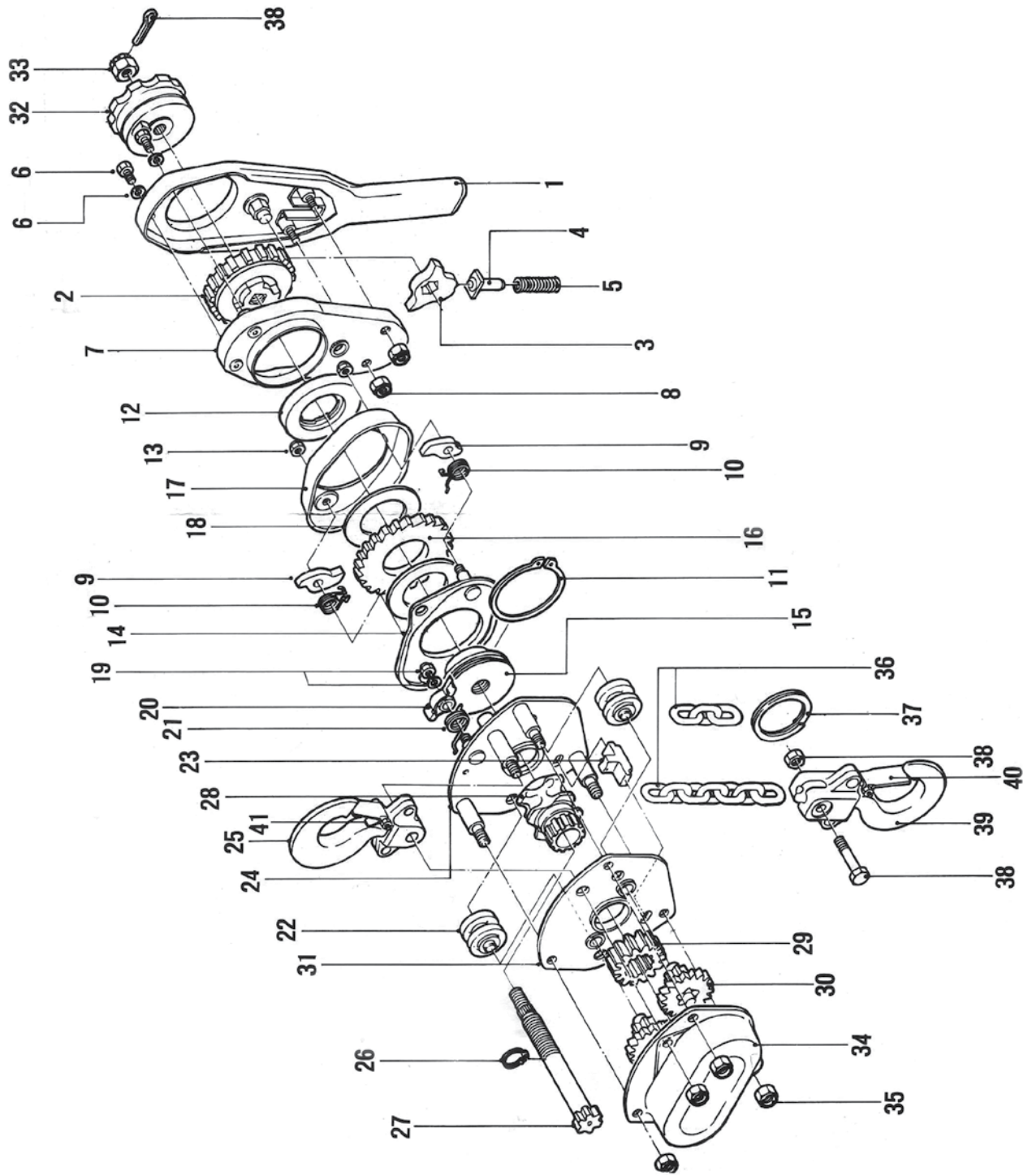


CAPACITY	3/4Ton	1 1/2 Ton	3Ton	6Ton
STANDARD LIFT	1.5m	1.5m	1.5m	1.5m
NET WEIGHT	6.9kg	9.7kg	16.3kg	26.7kg
MIN DISTANCE BETWEEN HOOKS	265mm	325mm	385mm	590mm
PULLING EFFORTS	16kg	18kg	33kg	35kg
MODEL NO	D08	D15	D30	D60
a	147mm	163mm	192mm	192mm
b	128mm	147mm	181mm	235mm
c	295mm	325mm	385mm	590mm
d	260mm	370mm	370mm	370mm
g	26mm	33mm	42mm	46mm

The load chain length can be adjusted to suit your requirements



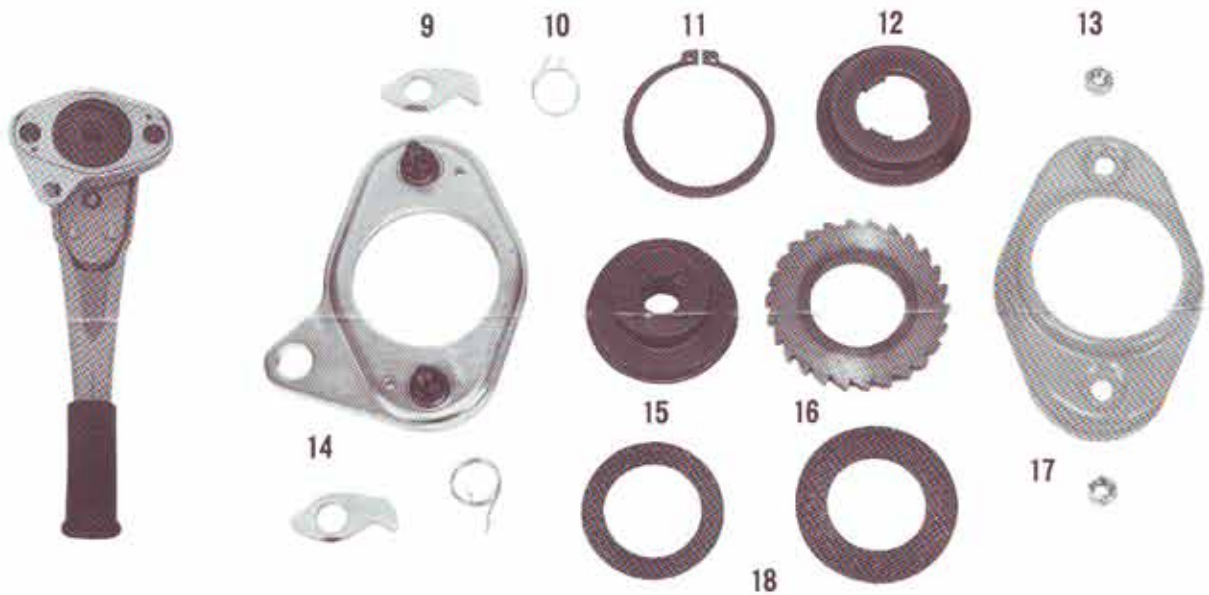
ASSEMBLY



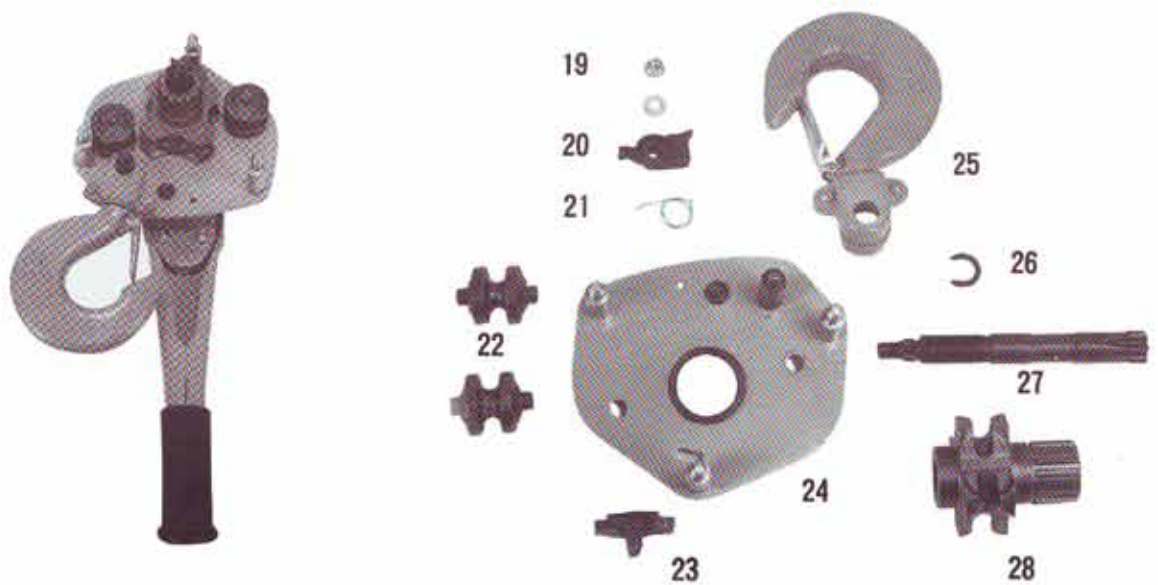
I



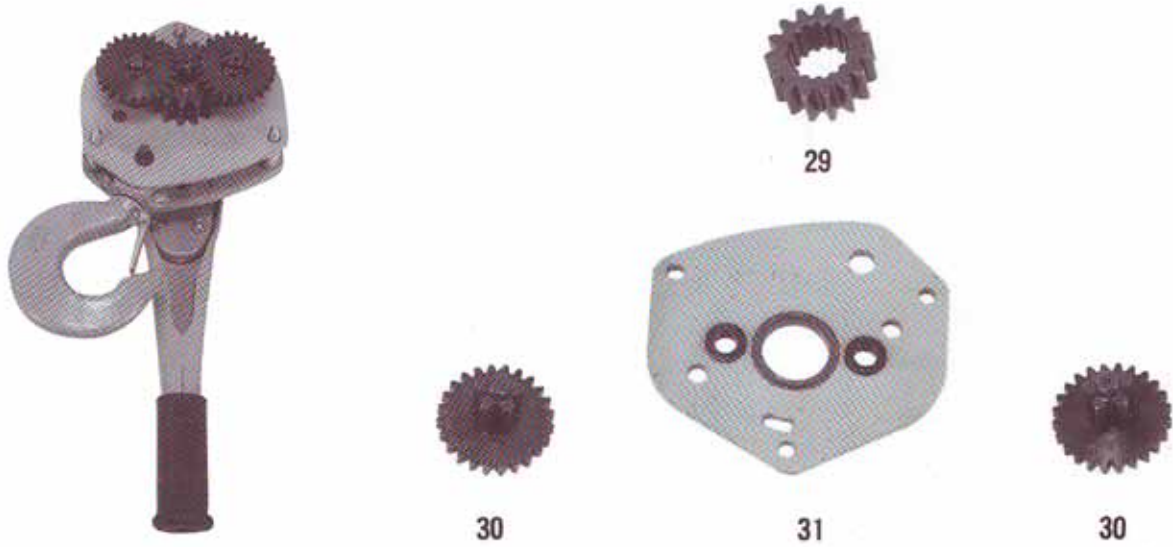
II



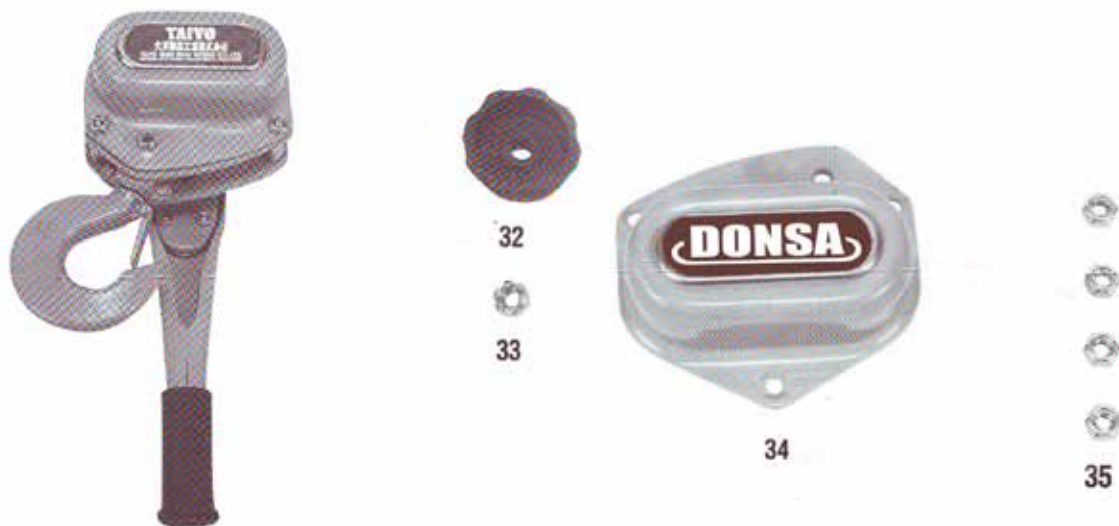
III



IV



V



VI

